

WOOFER PW7 LINE



These products were developed to meet sonorization needs of small and medium environments, having an exceptional performance in low and medium frequency reproduction. Produced with voice coils on Polyimide former, long-fiber-pulp cones, rubber-impregnated suspensions and epoxy-painted steel-plate frame.

SPECIFICATIONS	8PW7	10PW7	12PW7	15PW7	
Nominal diameter:	205 (8")	255 (10")	305 (12")	380 (15")	mm (in)
Nominal impedance:	8	8	8	8	Ω
Power handling					
PEAK:	500	600	800	1000	W
Musical Program: ¹	300	300	500	600	W
RMS: ²	140	150	250	300	W
AES: ³	125	150	200	250	W
Sensitivity (1W@1m):	93	95	95	97	dB SPL
Frequency response @ -10 dB:	70 a 8.000	60 a 4.000	40 a 4.500	40 a 4.500	Hz
Volume displaced by woofer:	0,6	1,3	2,4	4,5	l (ft ³)
Magnet weight :	560	920	1.300	1.300	g (oz)
Voice coil diameter:	32	46	60	60	mm (in)
Net weight :	1.780	2.840	4.100	4.360	g (lb)
Cutoff frequency recommended minimum (12dB/oct):	70	60	40	40	

¹ Power handling specifications refer to normal speech and/or music program material, reproduced by an amplifier producing no more than 5% distortion. Power is calculated as true RMS voltage squared divided by the nominal impedance of the loudspeaker.

² Brazilian Standard NBR 10.303, with pink noise during 2 hours uninterrupted.

³ AES Standard 8PW7, 10PW7 (100Hz - 1 KHz) 12PW7(44 - 440Hz) 15PW7 (48 - 480Hz).

THIELE-SMALL PARAMETERS	8PW7	10PW7	12PW7	15PW7	
Fs:	79	67	42	43	Hz
Re:	6.5	5.2	5.95	5.6	Ω
Qms:	3.70	3.97	3.39	3.60	
Qes:	1.03	1.02	0.47	0.81	
Qts:	0.81	0.77	0.41	0.66	
Vas:	21 (0.74)	12 (0.42)	77 (2.71)	152 (5.36)	l (ft ³)
Ref Eff:	1.00	0,54	1.18	1.62	%
Sd:	0,025(38.8)	0,0350 (54.3)	0,0510 (79.1)	0,08605(133.4)	m ² (in ²)
Vd:	58.75(3.59)	43.75(2.67)	153(9.34)	258.2(15.76)	cm ³ (in ³)
Xmax:	2.35(0.09)	2.0 (0.04)	3.0(0.12)	3.0(0.12)	mm (in)
βl:	7.3	12.14	15.2	12.8	T.m

Thiele-Small parameters are measured after a 2-hour power test using half AES power .
A variation of ± 15% is allowed.

WOOFER PW7 LINE



These products were developed to meet sonorization needs of small and medium environments, having an exceptional performance in low and medium frequency reproduction. Produced with voice coils on Polyimide former, long-fiber-pulp cones, rubber-impregnated suspensions and epoxy-painted steel-plate frame.

SPECIFICATIONS	8PW7	10PW7	12PW7	15PW7	
Nominal diameter:	205 (8")	255 (10")	305 (12")	380 (15")	mm (in)
Nominal impedance:	8	8	8	8	Ω
Power handling					
PEAK:	500	600	800	1000	W
Musical Program: ¹	300	300	500	600	W
RMS: ²	140	150	250	300	W
AES: ³	125	150	200	250	W
Sensitivity (1W@1m):	93	95	95	97	dB SPL
Frequency response @ -10 dB:	70 a 8.000	60 a 4.000	40 a 4.500	40 a 4.500	Hz
Volume displaced by woofer:	0,6	1,3	2,4	4,5	l (ft ³)
Magnet weight :	560	920	1.300	1.300	g (oz)
Voice coil diameter:	32	46	60	60	mm (in)
Net weight :	1.780	2.840	4.100	4.360	g (lb)
Cutoff frequency recommended minimum (12dB/oct):	70	60	40	40	

¹ Power handling specifications refer to normal speech and/or music program material, reproduced by an amplifier producing no more than 5% distortion. Power is calculated as true RMS voltage squared divided by the nominal impedance of the loudspeaker.

² Brazilian Standard NBR 10.303, with pink noise during 2 hours uninterrupted.

³ AES Standard (60 - 600 Hz).

THIELE-SMALL PARAMETERS	8PW7	10PW7	12PW7	15PW7	
Fs:	79	67	42	43	Hz
Re:	6.5	5.2	5.95	5.6	Ω
Qms:	3.70	3.97	3.39	3.60	
Qes:	1.03	1.02	0.47	0.81	
Qts:	0.81	0.77	0.41	0.66	
Vas:	21 (0.74)	12 (0.42)	77 (2.71)	152 (5.36)	l (ft ³)
Ref Eff:	1.00	0,54	1.18	1.62	%
Sd:	0,025(38.8)	0,0350 (54.3)	0,0510 (79.1)	0,08605(133.4)	m ² (in ²)
Vd:	58.75(3.59)	43.75(2.67)	153(9.34)	258.2(15.76)	cm ³ (in ³)
Xmax:	2.35(0.09)	2.0 (0.04)	3.0(0.12)	3.0(0.12)	mm (in)
βl:	7.3	12.14	15.2	12.8	T.m

Thiele-Small parameters are measured after a 2-hour power test using half AES power .
A variation of ± 15% is allowed.

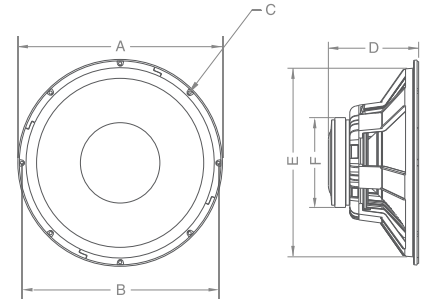
SUGGESTED ENCLOSURES

MODELS	CLOSED BOX Internal volume (liters)	VENTED BOX Internal volume (liters)	Qty.	Duct (s)
				Diam. x length (cm)
8PW7:	XX	19	1	7,5 x 5
10PW7:	XX	28	1	7,5 x 3,7
12PW7:	XX	65	1	10 x 2
15PW7:	XX	110	1	10 x 4.5

- The suggested enclosure volumes are related to only one speaker, including woofer and duct(s) displaced volume.
- For enclosure with more than one speaker, it is necessary to multiply the suggested volume and duct(s) by the quantity of speakers and build them with separated chambers (internal division).
- Box volumes considering the bass lift inside the car with closed apertures.

DIMENSIONS

	8PW7	10PW7	12PW7	15PW7	
A:	205 (8.07)	257 (10.11)	308 (12.12)	381 (15)	mm (in)
B:	195 (7.67)	243 (9.56)	293 (11.53)	368 (14.48)	mm (in)
C:	7 (0.275)	8 (0.315)	8 (0.315)	8 (0.315)	mm (in)
D:	85 (3.34)	111 (4.37)	146 (5.75)	150 (5.90)	mm (in)
E:	183 (7.20)	230 (9.055)	279 (11)	350 (13.78)	mm (in)
F:	115 (4.52)	134 (5.27)	147 (5.78)	147 (5.78)	mm (in)



Harman Consumer, Inc.
8500 Balboa Boulevard, Northridge, CA 91329 USA
www.jbl.com



© 2011 HARMAN International Industries, Incorporated. All rights reserved. Harman do Brasil Indústria Eletrônica e Participações Ltda. is a trademark of Harman International Industries, registered in the United States and/or other countries. Features, specifications and appearance are subject to change without notice.

Code: 018005 - 208143 - I Rev.: 01 - 04/13

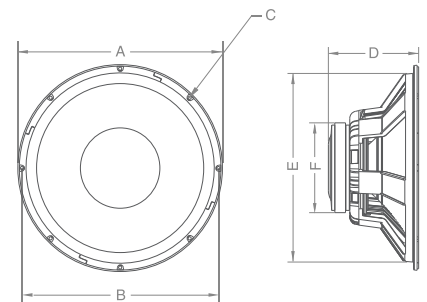
SUGGESTED ENCLOSURES

MODELS	CLOSED BOX Internal volume (liters)	VENTED BOX Internal volume (liters)	Qty.	Duct (s)
				Diam. x length (cm)
8PW7:	XX	19	1	7,5 x 5
10PW7:	XX	28	1	7,5 x 3,7
12PW7:	XX	65	1	10 x 2
15PW7:	XX	110	1	10 x 4.5

- The suggested enclosure volumes are related to only one speaker, including woofer and duct(s) displaced volume.
- For enclosure with more than one speaker, it is necessary to multiply the suggested volume and duct(s) by the quantity of speakers and build them with separated chambers (internal division).
- Box volumes considering the bass lift inside the car with closed apertures.

DIMENSIONS

	8PW7	10PW7	12PW7	15PW7	
A:	205 (8.07)	257 (10.11)	308 (12.12)	381 (15)	mm (in)
B:	195 (7.67)	243 (9.56)	293 (11.53)	368 (14.48)	mm (in)
C:	7 (0.275)	8 (0.315)	8 (0.315)	8 (0.315)	mm (in)
D:	85 (3.34)	111 (4.37)	146 (5.75)	150 (5.90)	mm (in)
E:	183 (7.20)	230 (9.055)	279 (11)	350 (13.78)	mm (in)
F:	115 (4.52)	134 (5.27)	147 (5.78)	147 (5.78)	mm (in)



Harman Consumer, Inc.
8500 Balboa Boulevard, Northridge, CA 91329 USA
www.jbl.com



© 2011 HARMAN International Industries, Incorporated. All rights reserved. Harman do Brasil Indústria Eletrônica e Participações Ltda. is a trademark of Harman International Industries, registered in the United States and/or other countries. Features, specifications and appearance are subject to change without notice.

Code: 018005 - 208143 - I Rev.: 01 - 04/13